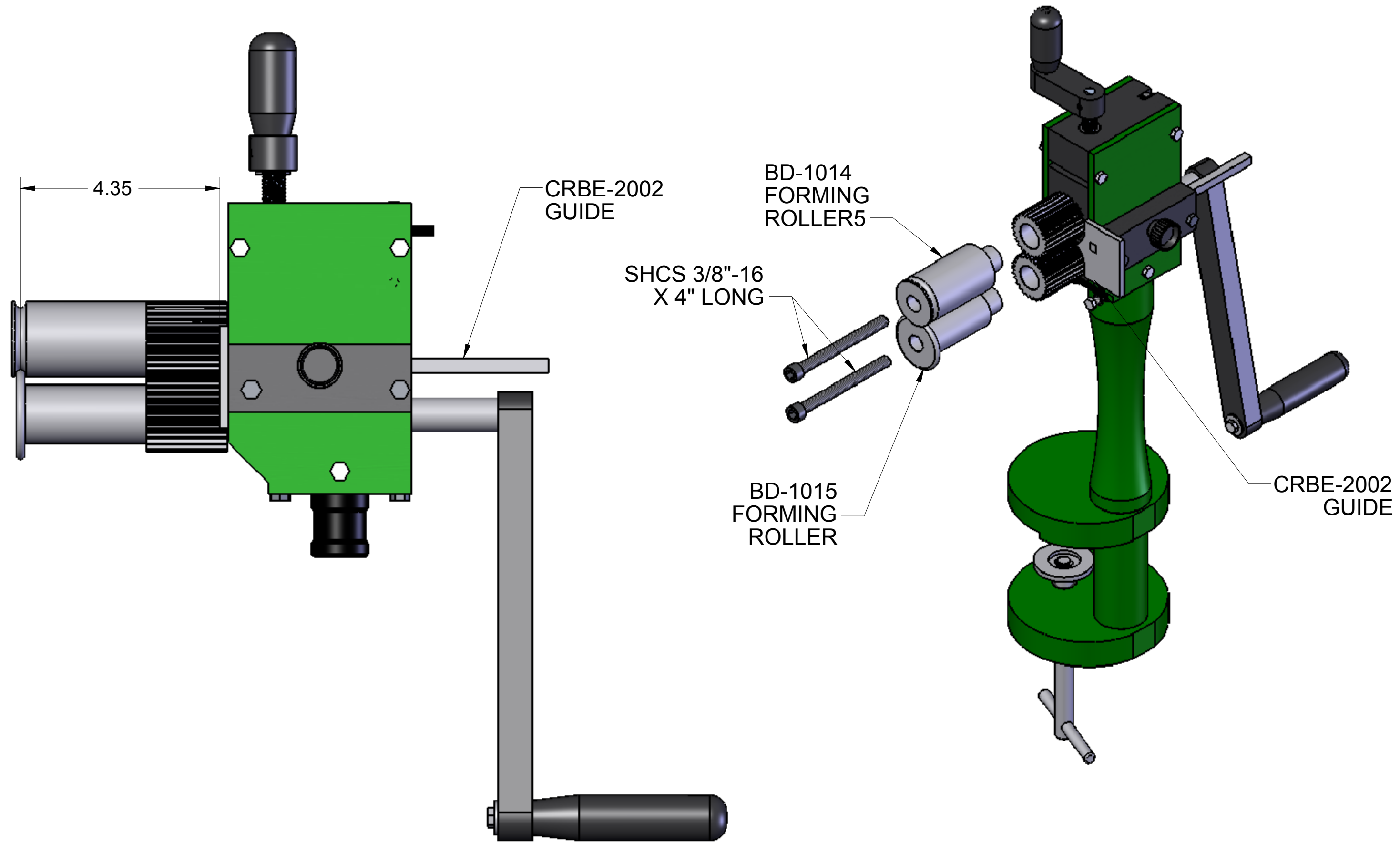


REV.	DESCRIPTION	DATE	APPROVED
A	CHANGE OGB TO BD FOR FORMING ROLLERS	1/25/2007	RAF



**1/4" BEAD DIE KIT** (USED WITH RAMS 2010 CRIMPER/BEADER)

- KIT INCLUDES THE ABOVE COMPONENTS:**
- (1) BD-1014 FORMING ROLLER
  - (1) BD-1015 FORMING ROLLER
  - (1) CRBE-2002 GUIDE
  - (2) SHCS 3/8"-16 X 4

**RAMS-2010 CRIMPER/BEADER**

DIMENSIONS ARE IN INCHES		NAME	DATE	<b>HORIZON SYSTEMS MACHINING</b>  9121 58TH PLACE KENOSHA, WI 53144 PH: 262-605-1122 FAX: 262-605-1198		
TOLERANCES:		DRAWN	CR			12-18-06
FRACTIONAL ± 1/16		CHECKED				
ANGULAR: MACH ± BEND ±		ENG APPR.				
TWO PLACE DECIMAL ±.01		MFG APPR.				
THREE PLACE DECIMAL ±.005		Q.A.				
THE INFORMATION CONTAINED IN THIS DRAWING IS THE SOLE PROPERTY OF HORIZON SYSTEMS MACHINING. ANY REPRODUCTION IN PART OR AS A WHOLE WITHOUT THE WRITTEN PERMISSION OF HORIZON SYSTEMS MACHINING IS PROHIBITED.		MATERIAL		TITLE: RAMS-1/4" BEAD DIE KIT		
		FINISH		SIZE	DWG. NO.	REV
		DO NOT SCALE DRAWING		C	RAMS-BD	A
		SCALE: 1:4		SHEET 1 OF 1		